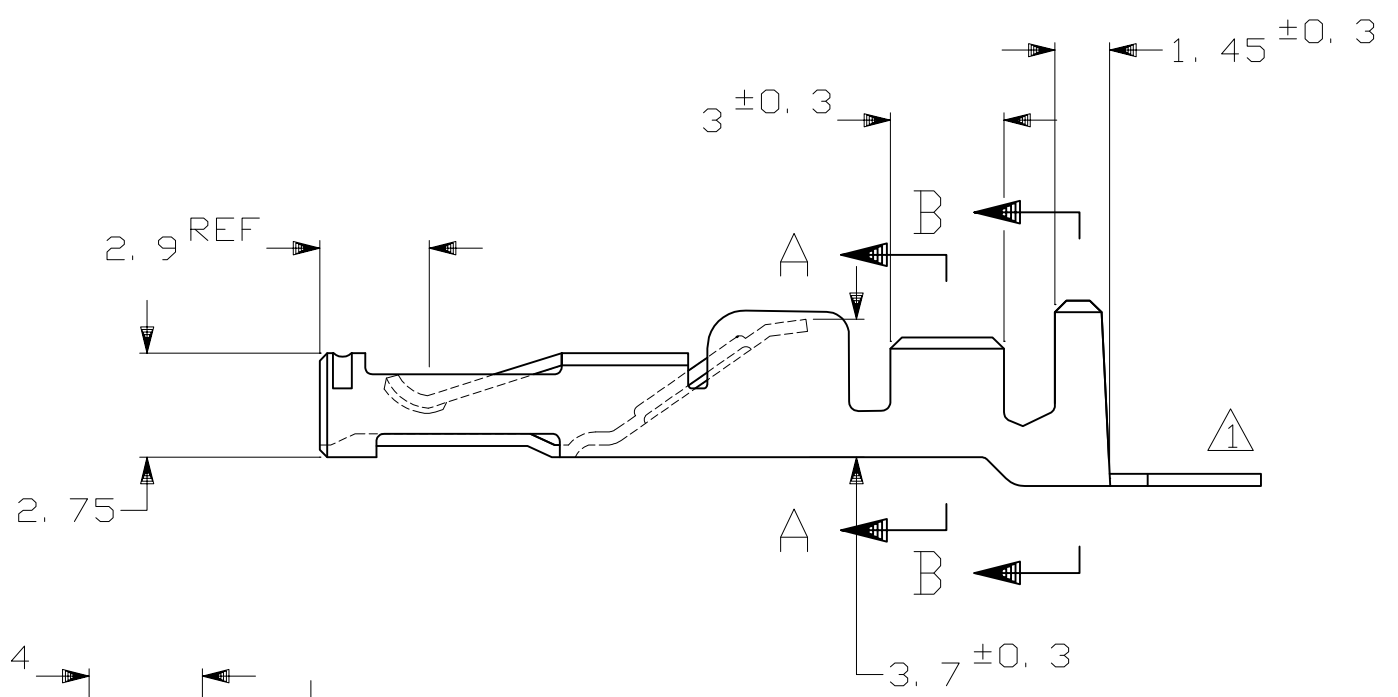
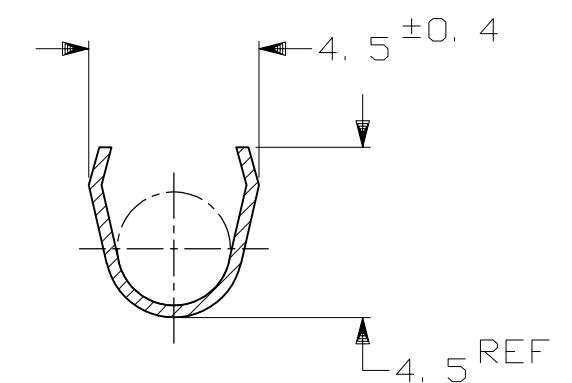
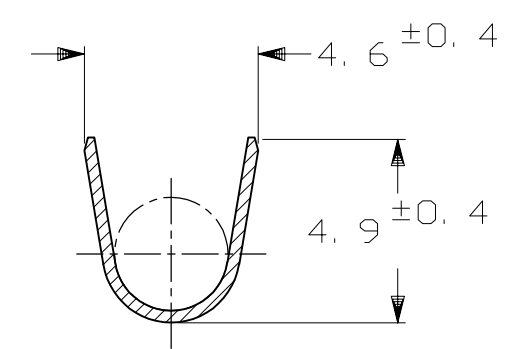
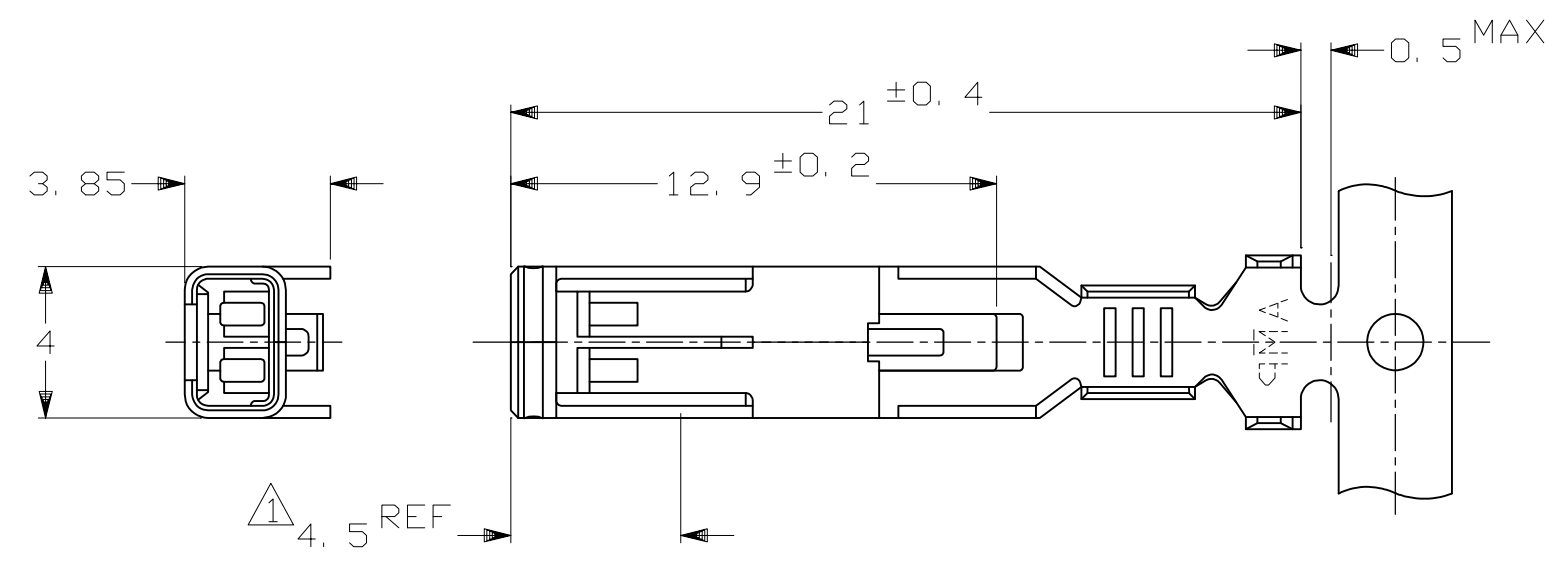
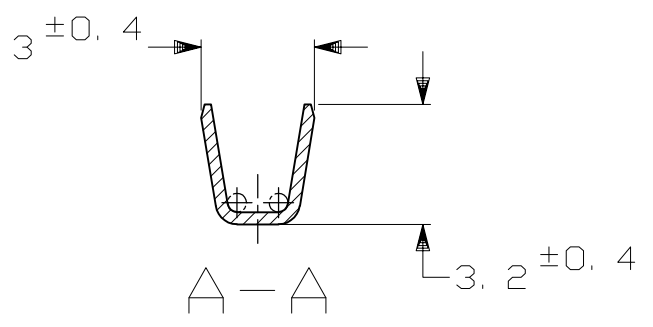


THIS DRAWING IS UNPUBLISHED. RELEASED FOR PUBLICATION  
 © COPYRIGHT - By - ALL RIGHTS RESERVED.

LOC	DIST	REVISIONS					
		P	LTR	DESCRIPTION	DATE	DWN	APVD
J	-		E3	REVISED PER ECO-11-005140	28MAR11	RK	HMR



- 1. HOUSING PART NUMBER : 171358, 171892 etc.
  - 2. THE MATING TAB CONTACTS PART NUMBER : 170221, 170308 etc.
  - 3. REVERSE REEL PART NUMBER FOR 170286-1: 1-170286-1
  - 4. DIFFERENT PLATING THICKNESS PRODUCT FROM 170286-2.
- 1. 使用ハウジング型番 : 171358, 171892 他。
  - 2. 嵌合タブコンタクト型番 : 170221, 170308 他。
  - 3. 170286-1の逆巻き型番 : 1-170286-1
  - 4. 170286-2のめっき厚違い品。



170289-3	SELECTIVE GOLD PL	PH BRZ TEMP#4	170286-4 <sup>4</sup>
170289-2	SELECTIVE GOLD PL	PH BRZ TEMP#4	170286-2
170289-1	PRE-TINNED	PH BRZ TEMP#4	170286-1
LOOSE PIECE No.	FINISH	MATERIAL	PART NUMBER

TOLERANCE UNLESS OTHERWISE SPECIFIED

一般公差

10 ≥	: ±0.2
30 ≥ > 10	: ±0.25
100 ≥ > 30	: ±0.3
ANGLE : ±0.3°	

WIRE RANGE

AWG NO. #20~#14 (0.5~2mm<sup>2</sup> SQ)

INSUL RANGE

2.2~3.4 DIA

THIS DRAWING IS A CONTROLLED DOCUMENT.

DIMENSIONS:	TOLERANCES UNLESS OTHERWISE SPECIFIED:
単位: 耗 mm	一般公差
	0 PLC ±-
	1 PLC ±-
	2 PLC ±-
	3 PLC ±-
	4 PLC ±-
ANGLES ±-	
MATERIAL 材料	FINISH 仕上
SEE TABLE	SEE TABLE

DWN T.SHINOHARA 19NOV07	TE Connectivity		MULTI INTER LOCK CONNECTOR RECEPTACLE	
CHK K.BETSUI 19NOV07				
APVD K.BETSUI 19NOV07	NAME 名称		RESTRICTED TO	
PRODUCT SPEC 製品規格 108-5093, 108-5099	DRAWING NO 番号 C-170286		SCALE 尺度 5:1	
APPLICATION SPEC 取付適用規格 114-5004	SIZE A3	CAGE CODE 00779	SHEET 1 OF 1	REV E3
WEIGHT 0.6 g	CUSTOMER DRAWING			